



CENTRAL VENOUS CATHETER DRAPES

HALYARD* CENTRAL VENOUS CATHETER LINE PLACEMENT SOLUTIONS HELP REDUCE THE INCIDENCE OF CRBSI

Each year, 30,000 people in the U.S. die because of catheter-related bloodstream infections (CRBSI). An estimated 6 million Central Venous Catheter (CVC) insertions are performed annually, with a quarter-million—more than 4%—resulting in CRBSIs.¹ Worldwide, nearly \$3 billion dollars are spent on these infections yearly.

Statistics like these led the CDC, HHS, and The Joint Commission to target CRBSIs for elimination through evidence-based best practice guidelines. And because the Centers for Medicare and Medicaid Services (CMS) considers them to be a "Never Event," they no longer provide reimbursement for hospital-acquired CRBSIs.

Halyard Health has developed Central Venous Catheter and Peripherally-Inserted Central Catheter (PICC) Line placement solutions designed to help clinicians reduce the incidence of CRBSIs and provide the very best in patient care.

INTRODUCING HALYARD* FULL BODY CVC AND PICC DRAPES

As recommended in the CDC Guidelines, our CVC and PICC drapes and packs provide full "head to toe" coverage for line placements in the jugular, subclavian and brachial access, and include:

- Clear-view film around the fenestration provides room to see/feel the vein for placement.
- Dual access on PICC drapes for right or left brachial placement.
- CONTROL* Plus reinforcement to absorb excess fluid at the placement site.
- Low-lint² and abrasion-resistant fabric.³
- AAMI Level 4 liquid barrier performance⁴ (non-perforated designs).
- Includes Perforation options for both CVC and PICC line drapes.



Perforation
Options



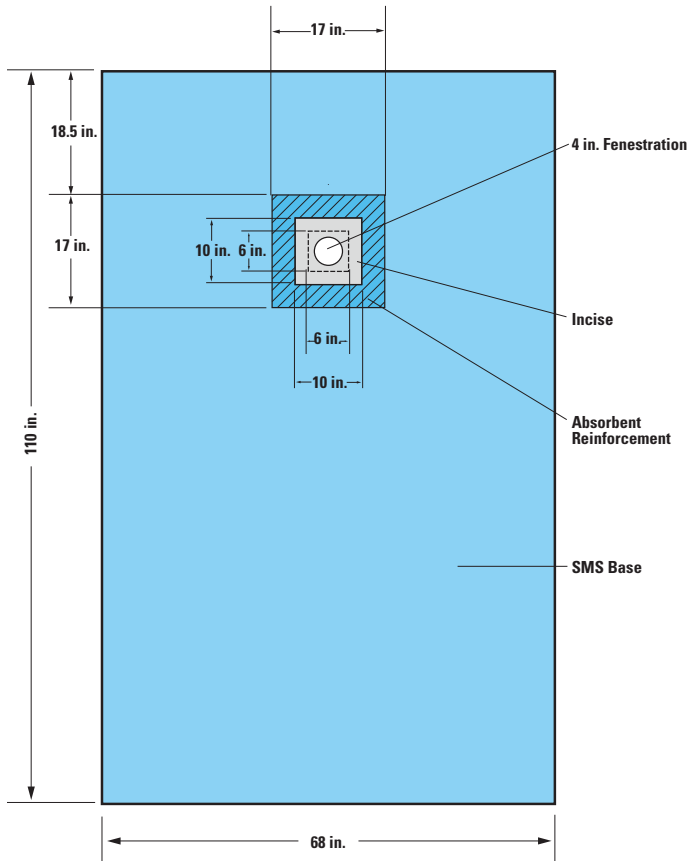
Pack Options



FULL BODY COVERAGE CVC/PICC DRAPES FROM HALYARD

HALYARD* CVC FULL BODY DRAPES

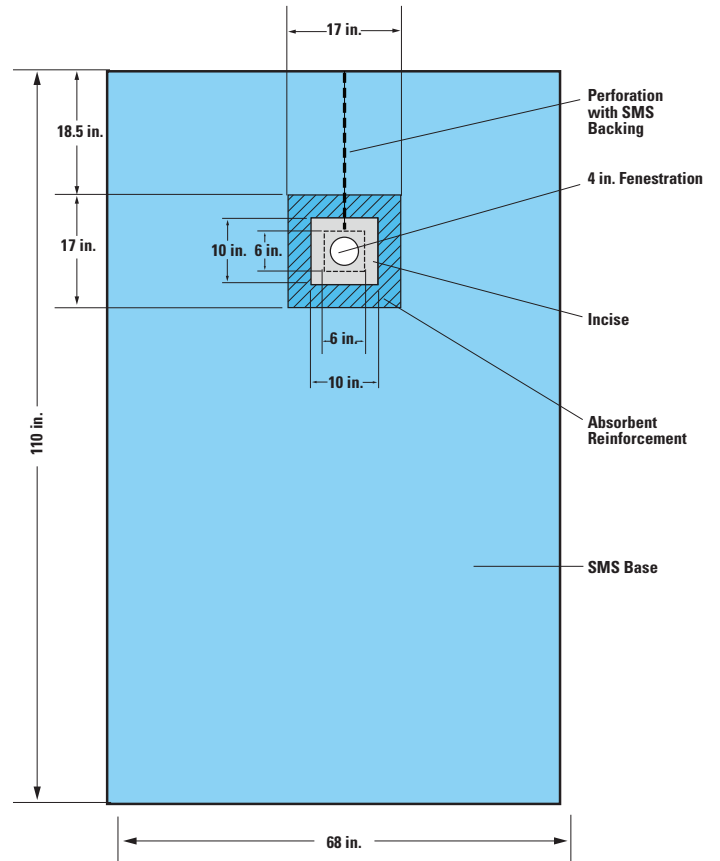
Single fenestration drapes are available with and without perforation.



Code Description

- 29149 CVC Full Body Drape, Sterile**
- 29148NS CVC Full Body Drape, Non Sterile

All codes in bold indicate a sterile product
Non-sterile product available for custom trays.



Code Description

- 31439 CVC Drape with Top Perforation, Sterile**
- 31445NS CVC Drape with Top Perforation, Non Sterile

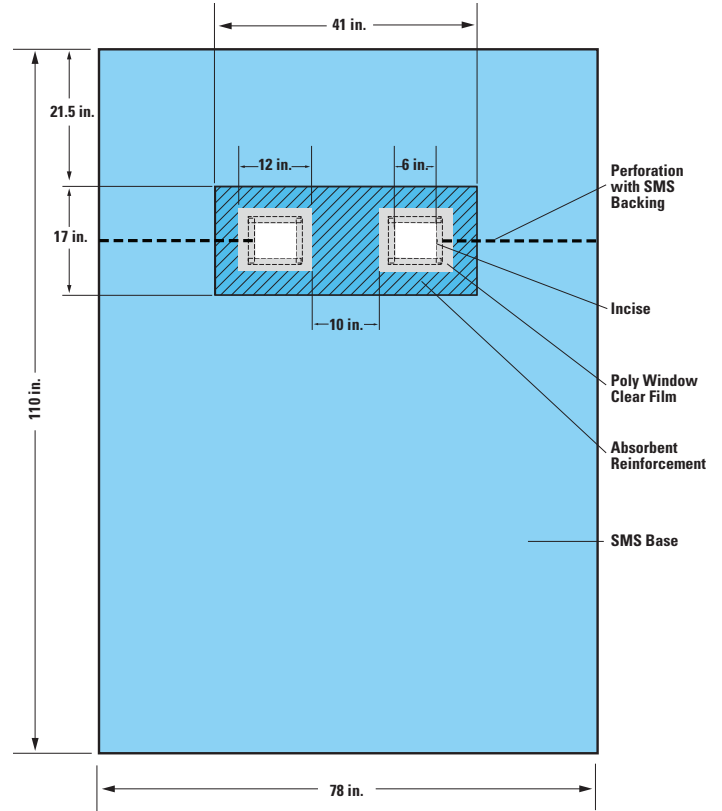
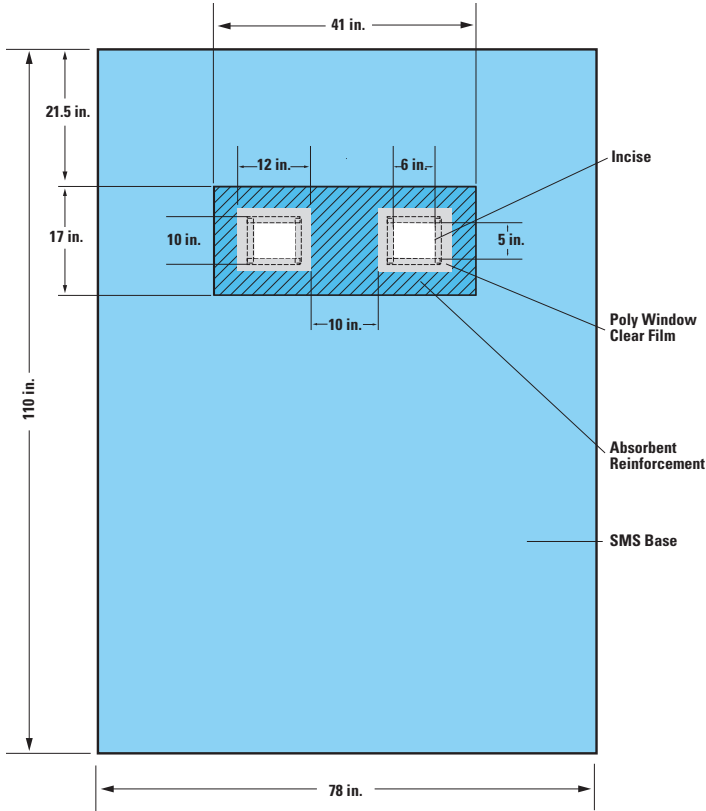
All codes in bold indicate a sterile product
Non-sterile product available for custom trays.



HALYARD* Central Line drapes all provide the full body patient coverage recommended by the CDC Guidelines¹.

HALYARD* PICC FULL BODY DRAPES

Dual fenestration drapes are available with and without perforations.



Code Description

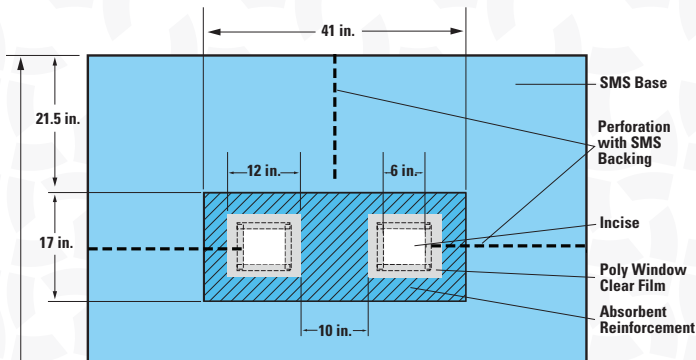
- 29155** PICC Full Body Drape, Sterile
- 29150NS PICC Full Body Drape, Non Sterile

All codes in bold indicate a sterile product
Non-sterile product available for custom trays.

Code Description

- 31446** PICC Drape with Side Perforations, Sterile
- 31447NS PICC Drape with Side Perforations, Non Sterile

All codes in bold indicate a sterile product
Non-sterile product available for custom trays.



Available as "Made to order" :

Code Description

- 31446** PICC Drape with Side Perforations, Sterile
- 31447NS PICC Drape with Side Perforations, Non Sterile

All codes in bold indicate a sterile product
Non-sterile product available for custom trays.

CENTRAL VENOUS CATHETER DRAPES

5 Digit Code	Type	Description	Case Count
29149	Sterile	CVC Full Body Coverage Drape, Single Fenestration	20
29148NS	Non-Sterile	CVC Full Body Coverage Drape, Single Fenestration	27
31439	Sterile	CVC Drape with Top Perforation, Full Body, Single Fenestration	20
31445NS	Non-Sterile	CVC Drape with Top Perforation, Full Body, Single Fenestration	27
29155	Sterile	PICC Full Body Coverage Drape, Dual Fenestration	19
29150NS	Non-Sterile	PICC Full Body Coverage Drape, Dual Fenestration	23
31446	Sterile	PICC Drape with Side Perforations, Full Body, Dual Fenestration	19
31447NS	Non-Sterile	PICC Drape with Side Perforations, Full Body, Dual Fenestration	23
29250	Sterile	CVC Full Body Coverage Pack†	9
29251NS	Non-Sterile	CVC Full Body Coverage Pack†	9
29252	Sterile	PICC Full Body Coverage Pack†	9
29253NS	Non-Sterile	PICC Full Body Coverage Pack†	9

Also available as "made to Order":

33227	Sterile	PICC Drape with Top and Side Perforations, Full Body, Dual Fenestration	19
33226	Non-Sterile	PICC Drape with Top and Side Perforations, Full Body, Dual Fenestration	23

All codes in bold indicate a sterile product. Non-sterile product available for custom trays.



KNOWLEDGE NETWORK* Accredited Education
In-Service Training and Technical Support
Credentialed Sales representatives
Tools & Best Practices
Clinical Research
Commitment to Excellence

For more information, please visit:

www.halyardhealth.com

Call 1-844-HALYARD (1-844-425-9273)
in the United States and Canada.



*Registered Trademark or Trademark of Halyard Health, Inc.
© 2015 HYH. All rights reserved. C15546

- Centers for Disease Control and Prevention
"Guidelines for the Prevention of Intravascular
Catheter-Related Infections", CDC Recommendations
and Reports, August 9, 2002 / 51 (RR10).
- Test method ISO 9073-10; Criteria <4.0 Log10 (lint count).
- Test method ASTM D4970; Criteria >3
- Test method ASTM F1670: 2008